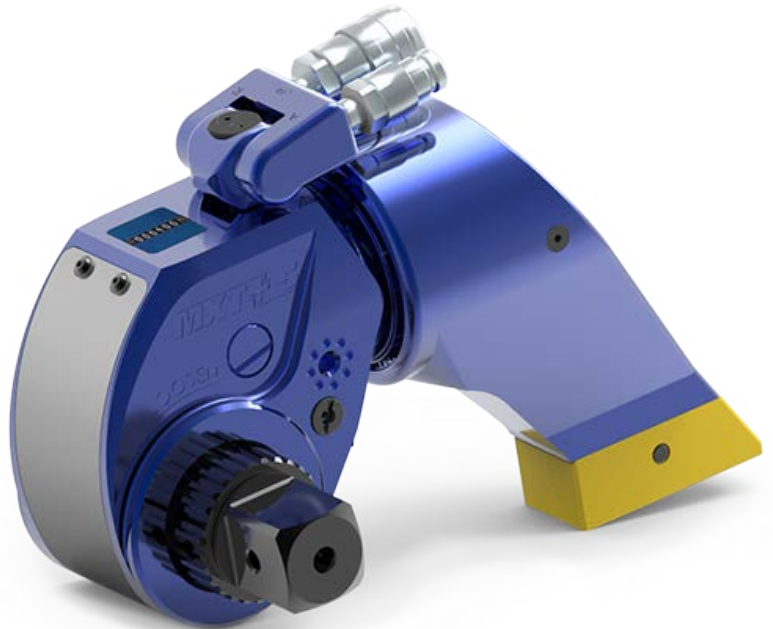


HYTORC MXT+™

The most universally applicable torque and tensioning tool

- **Dual reaction arm concept:** classic reaction arm + safety solutions
- **Auto release:** always easy to detach from the reaction point
- **Safety click connectors:** simpler and safer connections
- **Stroke counter:** provides insight into the number of strokes made and maintenance requirements



This torque tool is compatible with the award winning HYTORC Washer System™. This smart innovation improves safety, accuracy and speed.



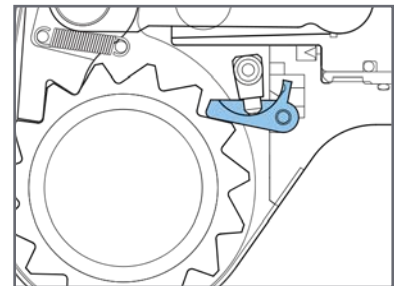
This tool is perfect for multi-tooling purposes. By using multiple tools, flanges can be closed simultaneously, faster and more accurate.



Because the MXT+ is equipped with two splines, it can be fitted with the reaction arms of the MXT, as well as those of the Avanti and ICE.



The MXT+ has a built-in stroke counter, which can be used to determine if the key needs maintenance or calibration.



The reaction pawl keeps the MXT+ tight to the support point and thus prevents entrapment. It is also easy to remove the key later.

HYTORC®
INDUSTRIAL TORQUE & TENSIONING SYSTEMS

Learn more?

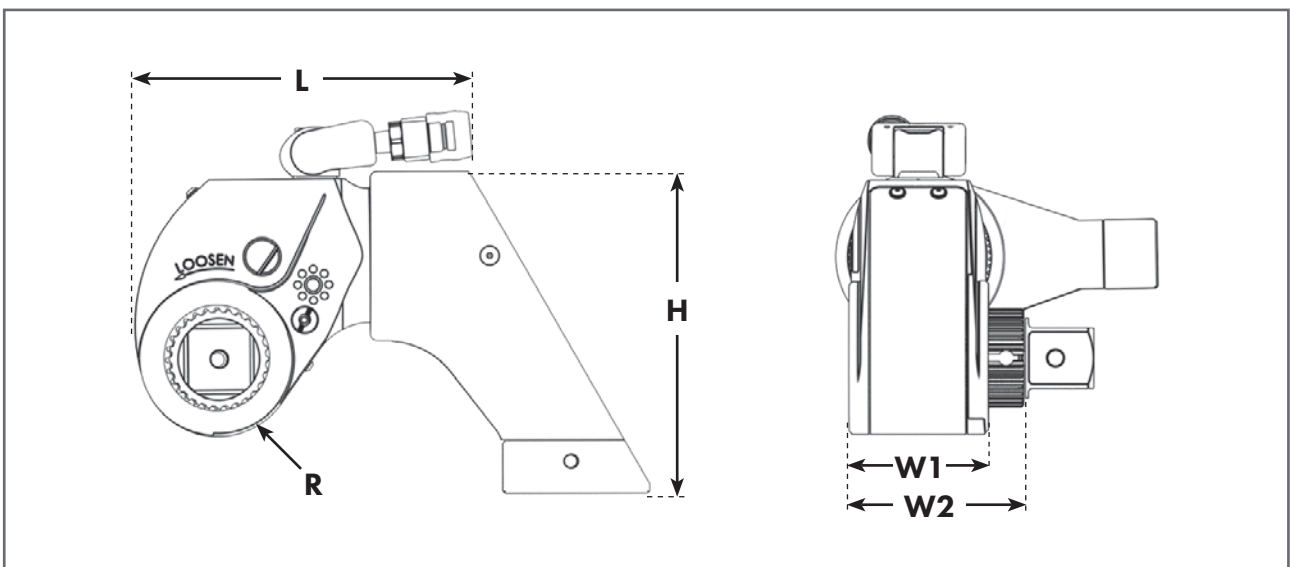
Call +31 24-3660 660 or visit hytorc.nl



Because the MXT+ is equipped with two splines, problems with finding a good and safe support point can always be solved. This makes the MXT+ the most versatile hydraulic torque wrench on the market.

1. Reaction Sleeve
2. Rear Reaction Arm Assembly
3. ALCO-Arm
4. Extension
5. Offset Link
6. HYTORC Washer Driver
7. WTCT arm
8. TPFS arm
9. Reaction strip
10. HYTORC Nut Drive
11. Standaard 360-arm
12. Standaard 360x360-arm

Model	H	W1	W2	L	R	SQ	weight	Min. torque	Max. torque
MXTP-01	162 mm	55 mm	68 mm	131 mm	30 mm	3/4"	3,1 kg	271 Nm	1.816 Nm
MXTP-03	206 mm	74 mm	95 mm	169 mm	38 mm	1"	3,4 kg	650 Nm	4.377 Nm
MXTP-05	235 mm	86 mm	108 mm	204 mm	47 mm	1 1/2"	8,4 kg	1.131 Nm	7.575 Nm
MXTP-10	297 mm	110 mm	136 mm	255 mm	60 mm	1 1/2"	11,3 kg	2.478 Nm	15.610 Nm



To the values given no rights can be derived.
All tools are supplied with a calibration report.

HYTORC

HYTORC Nederland BV
Tel. +31 24 3660 660
www.hytorc.nl

HYTORC Benelux BV
Tel. +32 38 705 220
www.hytorc.be