


Lithium Series II

The ultimate industrial battery powered torque wrench



- Aluminum housing, nickel plated gearbox and shock protection for enhanced durability
- Data recording of relevant parameters
- Programmable and exporting data using high-resolution display or
- HYTORC Connect app via  Bluetooth or  USB



This torque tool is compatible with the award winning HYTORC Washer System™. This smart innovation improves safety, accuracy and speed.



Aluminum housing, nickel plated gearbox and shock protection for the display provide enhanced durability.



With HYTORC Connect app you can connect the torque wrench to a PC via Bluetooth or USB. This allows you to pre-program jobs and export stored data.



The HD user interface is clear, provides all relevant information instantly and is intuitive to use.

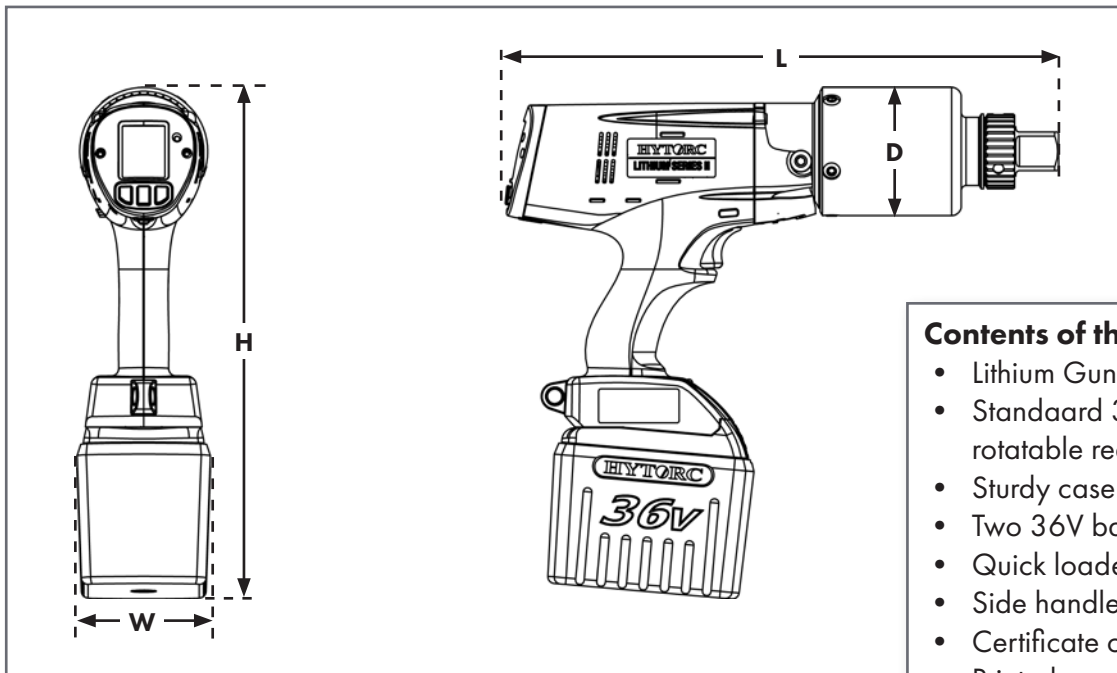
HYTORC
INDUSTRIAL TORQUE & TENSIONING SYSTEMS

Learn more?

Call +31 24 3660 660 or visit hytorc.nl

Extra reaction arms

1. Standard 360, steel reaction arm
2. Standard 360 x 360, reaction arm
3. Offset Link, with ring key function
4. HYTORC Nut, mechanical tensioning nut
5. HYTORC reaction washer
6. WTCT, safety reaction arm
7. TPF, safety reaction arm
8. ALCO arm, extended reaction arm



Contents of the set

- Lithium Gun II tool
- Standaard 360 x 360 rotatable reaction arm
- Sturdy case
- Two 36V batteries
- Quick loader
- Side handle
- Certificate of calibration
- Printed user manual

Models	H	W	L	D	Drive	Weight*	Snug min.	Torque min.	Torque max.	Rundown
LST-0250	328 mm	89 mm	254 mm	66 mm	1/2"	3.9 kg	17 Nm	68 Nm	339 Nm	180 RPM
LST-0700	328 mm	89 mm	290 mm	66 mm	3/4"	5.3 kg	47 Nm	203 Nm	949 Nm	61 RPM
LST-1200	328 mm	89 mm	297 mm	66 mm	3/4"	5.5 kg	81 Nm	271 Nm	1.627 Nm	40 RPM
LST-2000	335 mm	89 mm	353 mm	81 mm	1"	7.5 kg	135 Nm	441 Nm	2.712 Nm	17 RPM
LST-3000	338 mm	89 mm	366 mm	86 mm	1"	8.0 kg	203 Nm	678 Nm	4.067 Nm	11 RPM
LST-5000	422 mm	102 mm	391 mm	102 mm	1 1/2"	10.2 kg	270 Nm	1085 Nm	6.780 Nm	7 RPM

* 36V battery included

From the values given no rights can be derived.

HYTORC

HYTORC Nederland BV
Tel. +31 24 3660 660
www.hytorc.nl

HYTORC Benelux BV
Tel. +32 38 705 220
www.hytorc.be