

Wheelgun reaction arm

Safely support, work faster and more accurately



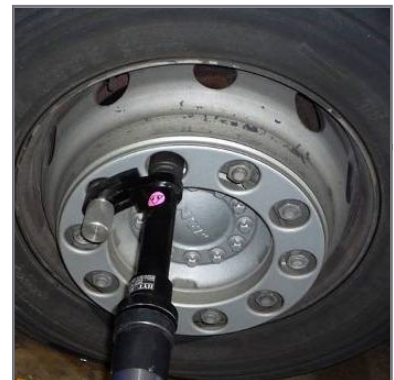
- Works safer: No pinching hazards
- Prevents damage to rims
- Easy to place on deeply lying wheel nuts
- Increases control over bolt load
- Compatible with pneumatic, electric, and hydraulic tools



The easily adjustable cup rests on a nearby nut and prevents damage to the rim.



With the HYTORC Wheelgun Arm, deep-lying wheel bolts are also easily accessible.



The HYTORC Wheelgun Arm fits easily on countersunk nuts.

HYTORC
INDUSTRIAL TORQUE & TENSIONING SYSTEMS

Learn more?

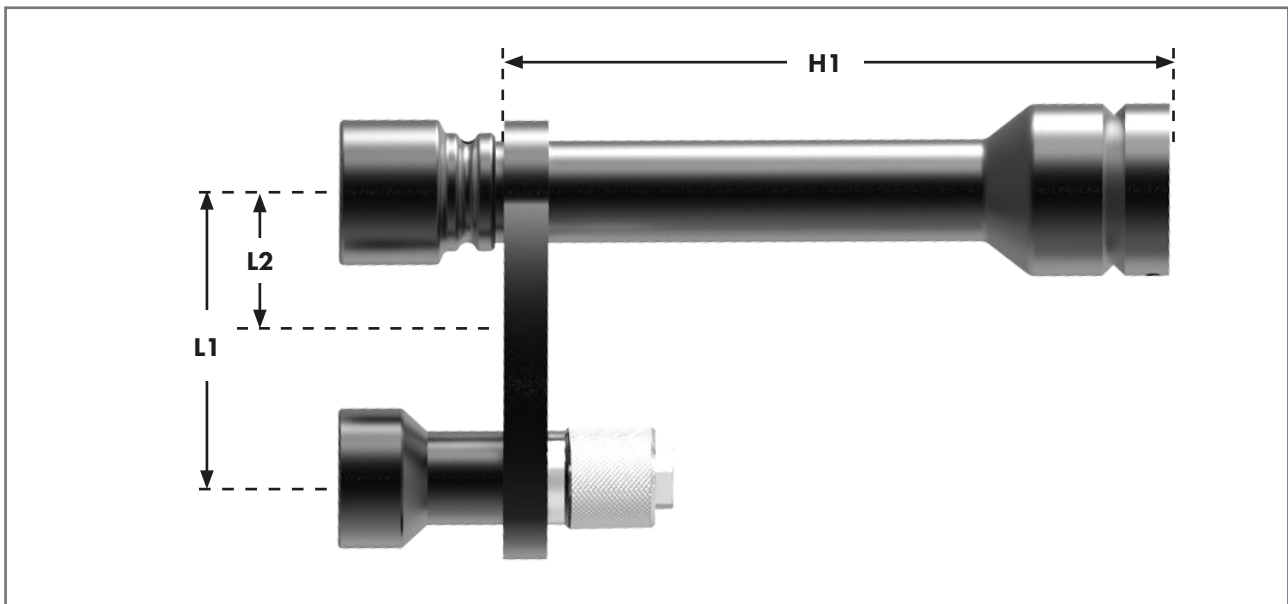
Call +31 (0)24-3660 660 or visit hytorc.nl



The HYTORC Wheelgun Arm is compatible with hydraulic, pneumatic and electric tools.

The cup has an internal diameter of 32 mm and easily falls over a nearby nut. This prevents fingers getting trapped, damaging rims or pushing the tool away from the nut. This way you work safer, faster and more accurately.

Model	H1	Max. L2	Min. L3	Cup
Type .25	125 mm	116 mm	53 mm	32 mm
Type 01	320 mm	113 mm	65 mm	SQ 1/2 "



Ver.22-11-18

No rights can be derived from the listed values.
CAD models can be sent on request

HYTORC

HYTORC Nederland BV HYTORC Benelux BVBA
Tel. +31 24 3660 660 Tel. +32 38 705 220
www.hytorc.nl www.hytorc.be