

# iGun Single Speed

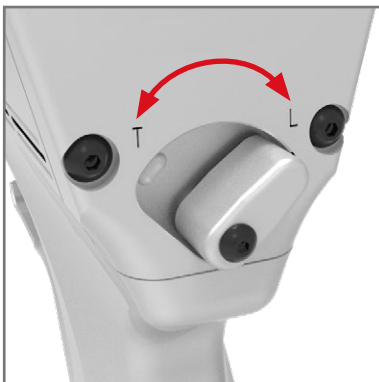
Pneumatic torque wrench for accurate assembly work



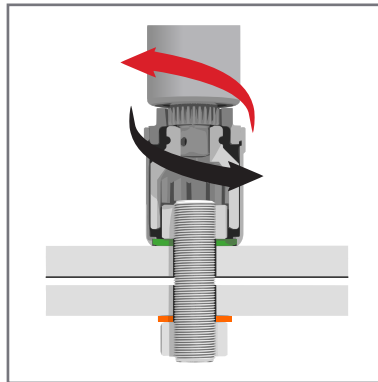
- Impact free: low noise, low vibrations
- Solid and durable design
- Stepless adjustable torque-output
- Highest power-to-weight ratio
- 7 models, up to 10,700 Nm



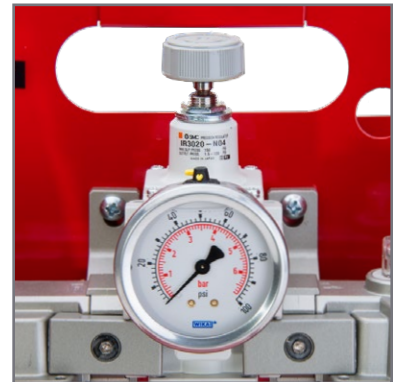
This torque tool is compatible with the award winning HYTORC Washer System™. This smart innovation improves safety, accuracy and speed.



Quick and easy switching between tightening and loosening.



Heavy duty gearbox with precision transmission.



Stepless control over torque output.

**HYTORC**<sup>®</sup>  
INDUSTRIAL TORQUE & TENSIONING SYSTEMS

**Learn more?**

Call +31 (0)24-3660 660 or visit [hytorc.nl](http://hytorc.nl)

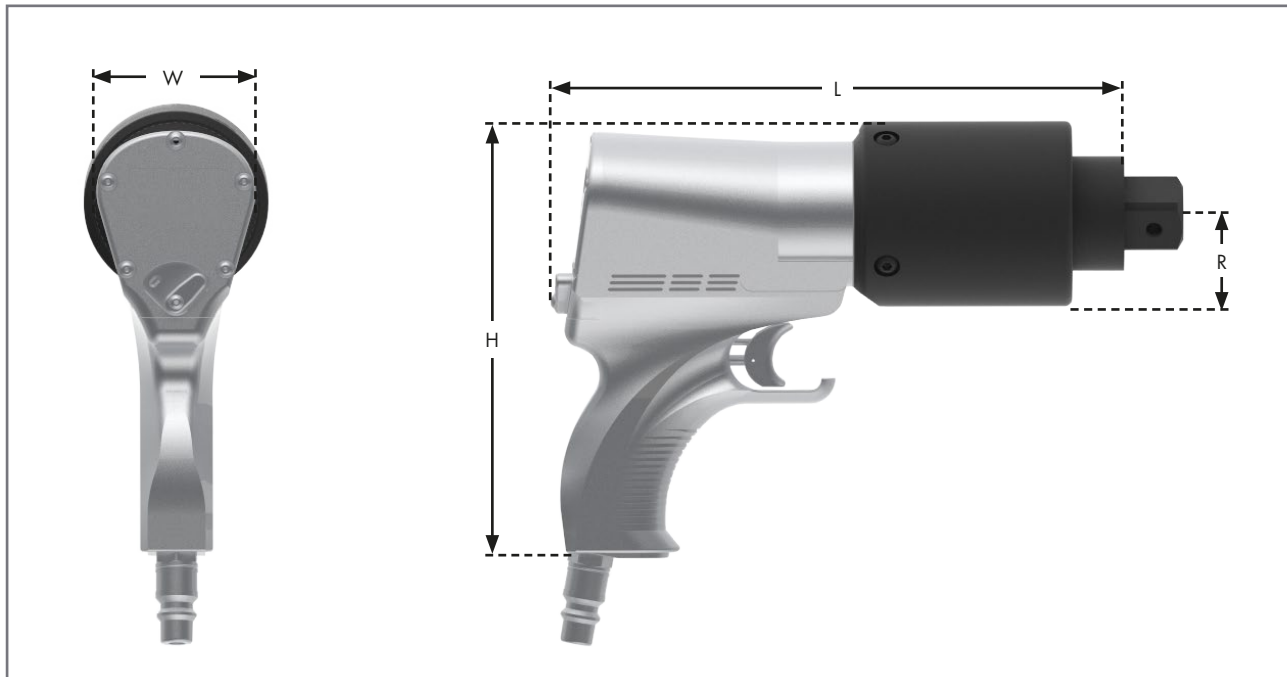


jGun with standard 360° x 360° reaction arm and socket.



The jGun is compatible with a wide range of standard and custom reaction arms and accessories, including the HYTORC washer driver.

model	jGun .25	jGun .5	jGun .7	jGun 1	jGun 2	jGun 3	jGun 5	jGun 8
<b>height (H)</b>	179 mm	186 mm	202 mm	186 mm	202 mm	202 mm	204 mm	215 mm
<b>width (W)</b>	69 mm	70 mm	90 mm	70 mm	90 mm	90 mm	105 mm	107 mm
<b>length (L)</b>	182 mm	205 mm	252 mm	224 mm	266 mm	282 mm	311 mm	330 mm
<b>radius (R)</b>	32 mm	33 mm	33 mm	33 mm	42 mm	42 mm	53 mm	58 mm
<b>drive</b>	¾"	¾"	¾"	¾"	1"	1"	1 ½"	1 ½" - 2 ½"
<b>weight</b>	3,27 kg	3,27 kg	4,73 kg	4,55 kg	6,59 kg	7,15 kg	9,11 kg	12,05 kg
<b>min. torque</b>	65 Nm	175 Nm	237 Nm	408 Nm	706 Nm	1.154 Nm	1.558 Nm	2.362 Nm
<b>max. torque</b>	339 Nm	688 Nm	982 Nm	1.668 Nm	2.967 Nm	4.206 Nm	7.136 Nm	10.737 Nm
<b>speed</b>	65,0 RPM	24,0 RPM	26,0 RPM	6,5 RPM	5,5 RPM	5,0 RPM	2,5 RPM	1,5 RPM



W401-19

To the values given no rights can be derived.  
All tools are supplied with a calibration report.

**HYTORC®**

**HYTORC Nederland BV** **HYTORC Benelux BVBA**  
Tel. +31 24 3660 660 Tel. +32 38 705 220  
www.hytorc.nl www.hytorc.be