



## SPECIFICATIONS

- Multi-tooling
- 360° x 360° job adjustable uniswivel
- Solid single piece driving piston housing of light-weight TITAL 399
- Twin hose system with shock absorption
- Integrated HSQS- safety cylinder
- Torsion free power head
- Reaction pawl for high-speed and high accuracy
- Every stroke has the same nut turning
- Solid driving pawl mechanism
- Drive system with heavily-built and robust tothing
- In-line reaction arm for each ratchet
- Calibration certificate at delivery

## DESCRIPTION

The XLCT-series belongs to the absolute top of the hydraulic torque wrenches. This wrench of the sixth generation we also appoint as the 'chameleon'.

The XLCT can be adjusted to all thinkable working situations. No other wrench is as flexible and variable as this one. The XLCT can be changed from a low clearance wrench into an open spanner link and even into a hydraulic socket wrench in (almost literally) no time.

The XLCT can easily be expanded with any reaction arm both sideward as backwards. Expanding with interconnection arms, adapters, sockets and hex drives and even extensions for working in reverted holes.

With a wrench of the XLCT series you have: an 360° x 360° job adjustable uniswivel hose connection, a reaction pawl for accuracy and high speed that blocks backwards turning, automatic angle rotation, drive system with heavily built and robust tothing and a torsion free power head. These are just a few of the quality characteristics.

The reaction pawl gives a higher efficiency and at every stroke the same torque and angle.

When using multiple XLCT's, parallel flanges will stay exactly parallel during the complete bolting process.

## FOR MORE INFORMATION

**HYTORC Nederland BV** | Platinawerf 8 - 6641 TL Beuningen - NEDERLAND | Tel: +31(0)24 - 3 660 660 | [www.hytorc.nl](http://www.hytorc.nl)

**HYTORC Benelux BVBA** | Ysselaarlaan 65B - 2630 Aartselaar - BELGIË | Tel : +32(0)38 - 705 220 | [www.hytorc-benelux.be](http://www.hytorc-benelux.be)

TECHNICAL DETAILS*		XLCT-2	XLCT-4	XLCT-8	XLCT-14	XLCT-18	XLCT-30
<b>Ma – min</b>	Nm	232	523	1.105	1.817	2.419	4.311
<b>Ma – max</b>	Nm	2.318	5.226	11.049	18.165	24.191	43.108
<b>L</b>	mm	185,4	241,3	298,5	355,6	407,7	461,0
<b>H</b>	mm	101,6	137,2	144,8	203,2	241,3	271,8
<b>B1</b>	mm	49,5	66,1	82,6	99,1	116,8	132,1
<b>B2</b>	mm	31,8	40,6	53,4	62,2	71,1	82,6
<b>Weight</b>	mm	2,0	4,7	8,7	14,8	35,1	44,1
<b>Hex size</b>	(mm)	<b>Radius at (mm)</b>					
	19, 22, 24	24,0					
	27	26,0					
	30	29,0					
	32	27,4					
	36	30,0	33,0				
	41	32,8	35,8				
	46	35,6	38,6				
	50	38,4	41,4	44,2			
	55	41,1	44,2	47,0			
	60	43,9	47,0	49,8			
	65	45,0	49,8	52,6			
	70		52,6	55,4	58,5		
	75		55,4	58,4	61,2	64,5	
	80		58,4	61,2	64,3	67,3	
	85			64,3	64,3		
	90			67,1	69,9	73,2	75,7
	95			70,1	73,2		
	100			72,9	75,7	79,0	81,5
	105				78,7		
	110				81,5	84,9	87,4
	115				87,4		
	120				87,4	90,4	93,2

## EXAMPLES

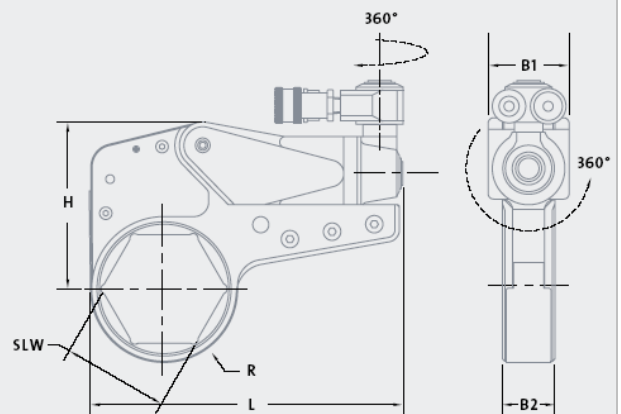


4 wrenches Multi-tooling



4-XLCT on dredger suction pipe

## DIMENSIONS



## FOR MORE INFORMATION

**HYTORC Nederland BV** | Platinawerf 8 - 6641 TL Beuningen - NEDERLAND | Tel: +31(0)24 - 3 660 660 | [www.hytorc.nl](http://www.hytorc.nl)

**HYTORC Benelux BVBA** | Ysselaarlaan 65B - 2630 Aartselaar - BELGIË | Tel: +32(0)38 - 705 220 | [www.hytorc-benelux.be](http://www.hytorc-benelux.be)

\*Weight of the powerhead and ratchet. Subject to alternations