

XLCT

The most versatile hydraulic torque wrench



- Can be used as both a ratchet link or spanner
- 360 ° x 360 ° rotatable hose connection
- Reaction pawl absorbs torsion:
- higher net rotation speed
- Light but indestructible design
- Equipped with safety lever



This tool is perfect for Simulorc purposes. By using multiple tools simultaneously, flanges can be closed much faster and more accurate.



Hoses are never in the way due to a 360° x 360° rotatable connection.



Can be used as a hydraulic ring or open-ended spanner.



Thanks to the reaction pawl, a jammed XLCT is easily released.

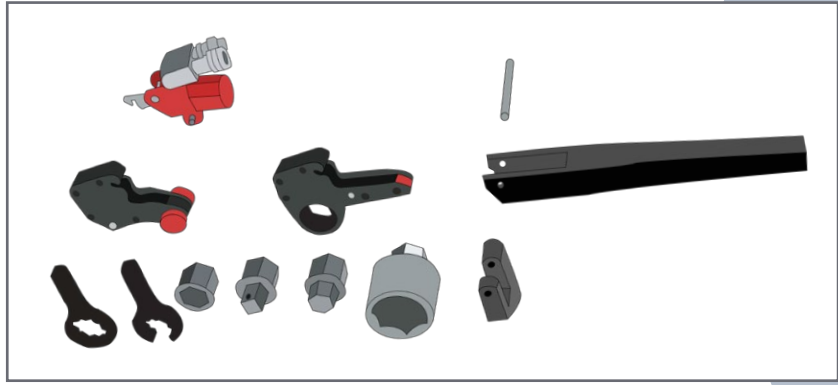
HYTORC
INDUSTRIAL TORQUE & TENSIONING SYSTEMS

Learn more?

Call +31 (0)24-3660 660 or visit hytorc.nl



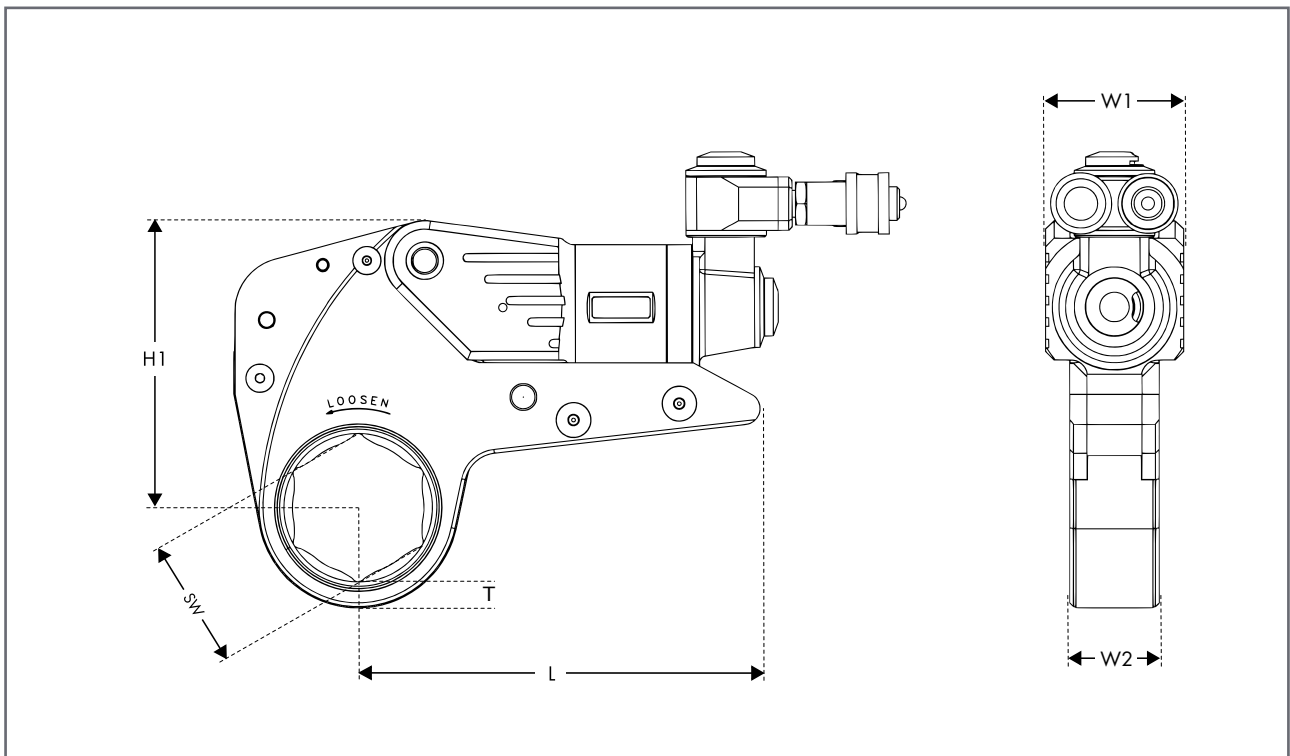
The reaction pawl serves as a return block and thus ensures a higher net rotation speed.



With its many accessories, the XLCT can be adapted to any working situation. No other wrench is as variable. The XLCT can be changed in no time from ring spanner to spanner.

Model	Heigth (H1)	Width (W1)	Width (W2)	Length (L)	Thickness (T)	Weight	Torque range
XLCT 2	102 mm	49 mm	32 mm	147 mm	10 mm	0,93 kg	329 - 2.287 Nm
XLCT 4	136 mm	66 mm	42 mm	198 mm	12,5 mm	1,93 kg	786 - 5.227 Nm
XLCT 8	170 mm	82 mm	53 mm	242 mm	16 mm	3,24 kg	1.550 - 11.051 Nm
XLCT 14	204 mm	99 mm	64 mm	275 mm	20 mm	5,13 kg	2.725 - 18.168 Nm
XLCT 18	231 mm	111 mm	72 mm	-	25 mm	6,74 kg	3.783 - 25.896 Nm
XLCT 30	272 mm	131 mm	85 mm	320 mm	28 mm	10,80 kg	6.208 - 42.012 Nm

Radius $\approx ((1,15 * SW)/2) + T$



To the values given no rights can be derived.
All tools are supplied with a calibration report.

HYTORC

HYTORC Nederland BV **HYTORC Benelux BVBA**
Tel. +31 24 3660 660 Tel. +32 38 705 220
www.hytorc.nl www.hytorc.be