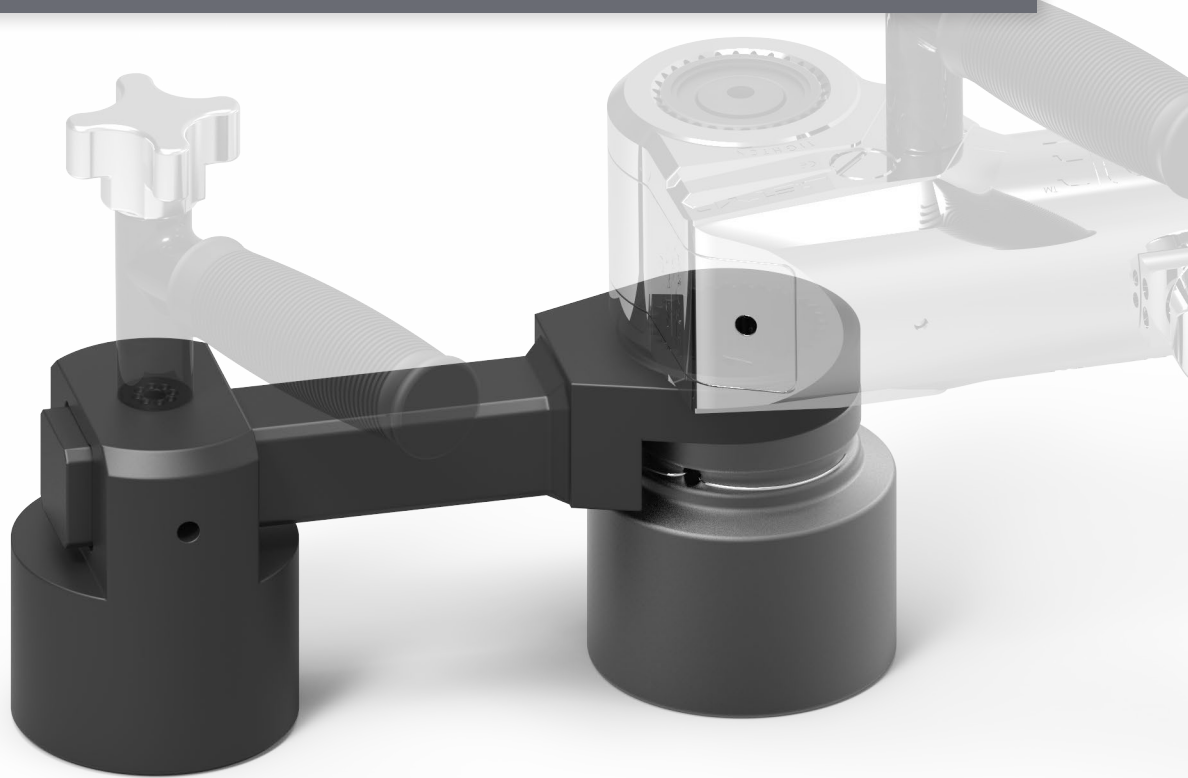


WTCT reaction arm

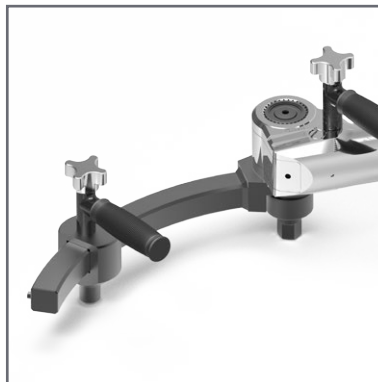
Work safer, gain control over bolt load



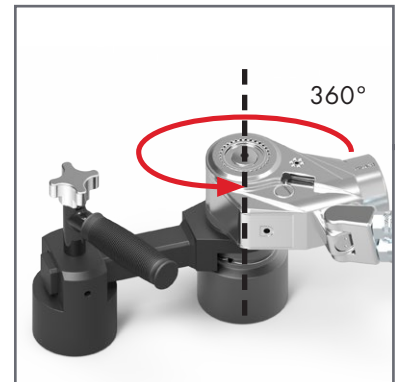
- Works safer: No pinching hazards
- Prevents damaged coatings and flanges
- Lower side load by abutting further away from the tool:
- Improved control, more accurate bolt load



WTCT reaction arms are available with cups and pin cups.



Bent WTCT arm for working with i.e. hydraulic cylinders.

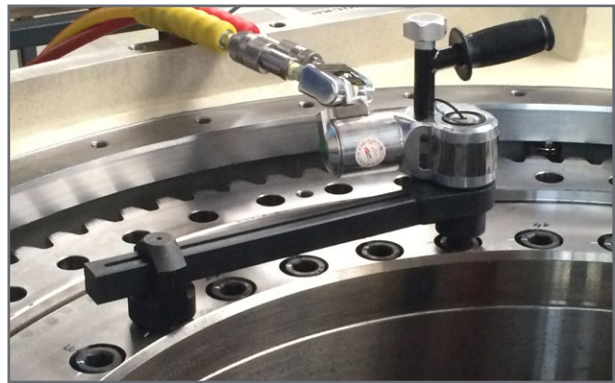


The wrench can be rotated 360° relative to the reaction arm.

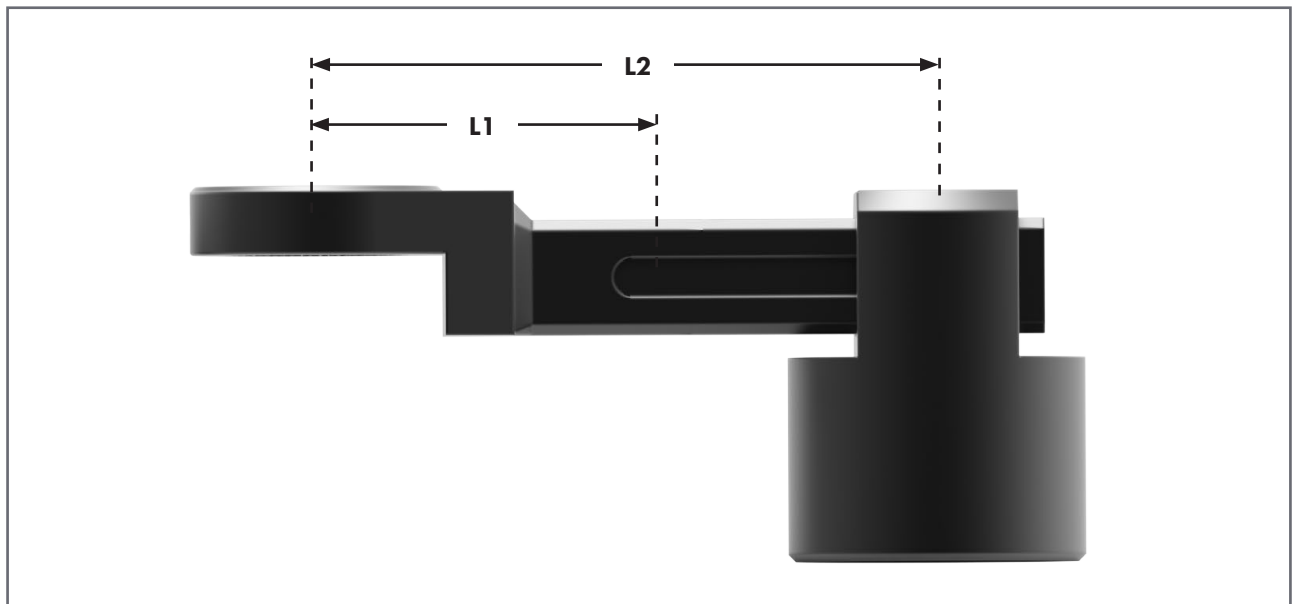


Compatible with hydraulic, pneumatic and electric torque wrenches and the Safety Handle for extra safety and ease of use.

Model	Min. length L1	Max. length L2
Type .7	On request	
Type 01	70 mm	152 mm
Type 03	84 mm	186 mm
Type 05	127 mm	229 mm
Type 08	On request	
Type 10	190 mm	420 mm



Significantly reduce side load by abutting to a more distant deep well Allen bolt.



To the values given no rights can be derived. CAD models can be sent on request.

HYTORC[®]

HYTORC Nederland BV HYTORC Benelux BVBA
 Tel. +31 24 3660 660 Tel. +32 38 705 220
 www.hytorc.nl www.hytorc.be