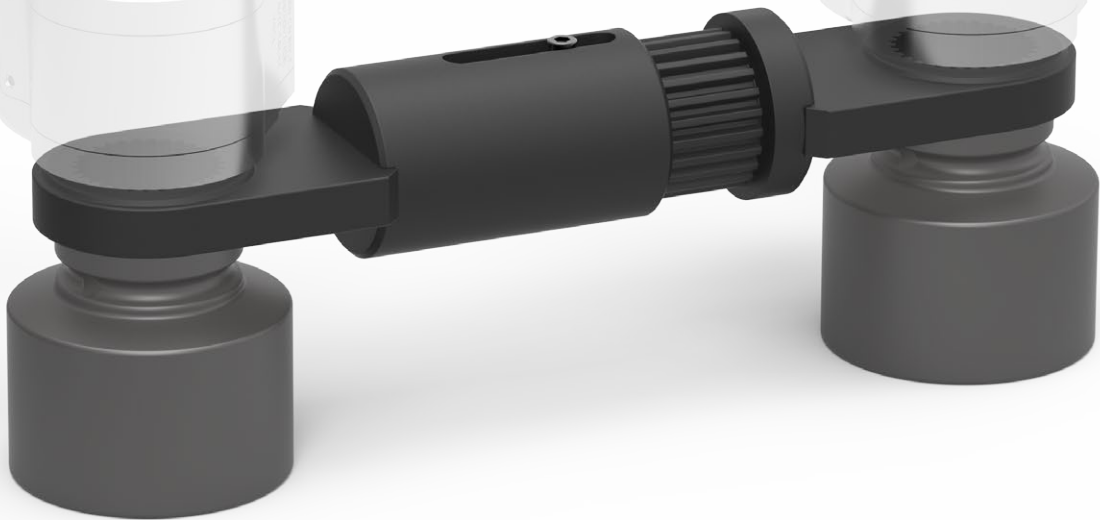


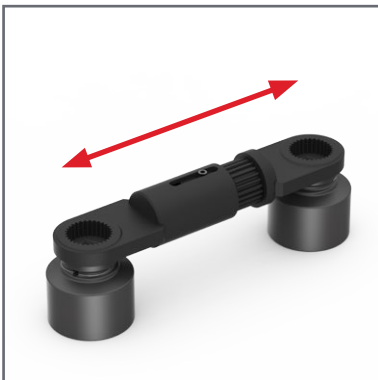
# RFA-reaction arm

Work safer, work faster



This tool is perfect for multi-tooling purposes. By using multiple tools simultaneously, flanges can be closed much faster and more accurate.

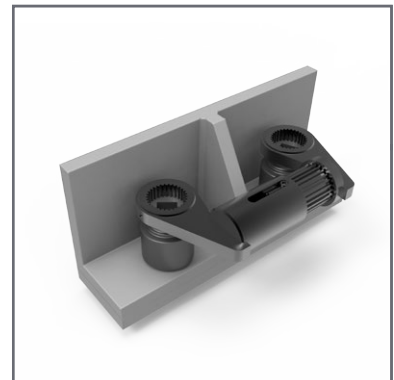
- No more pinching hazards!
- Use two tools simultaneously.
- Prevent damaged coatings.
- Increased control over bolt load by abutting to a farther reaction point.



The distance between the sockets can be adjusted to adapt to different situations.



RFA with two battery powered Lithium Guns.



The U-shaped variants can be placed around reinforcement ribs.



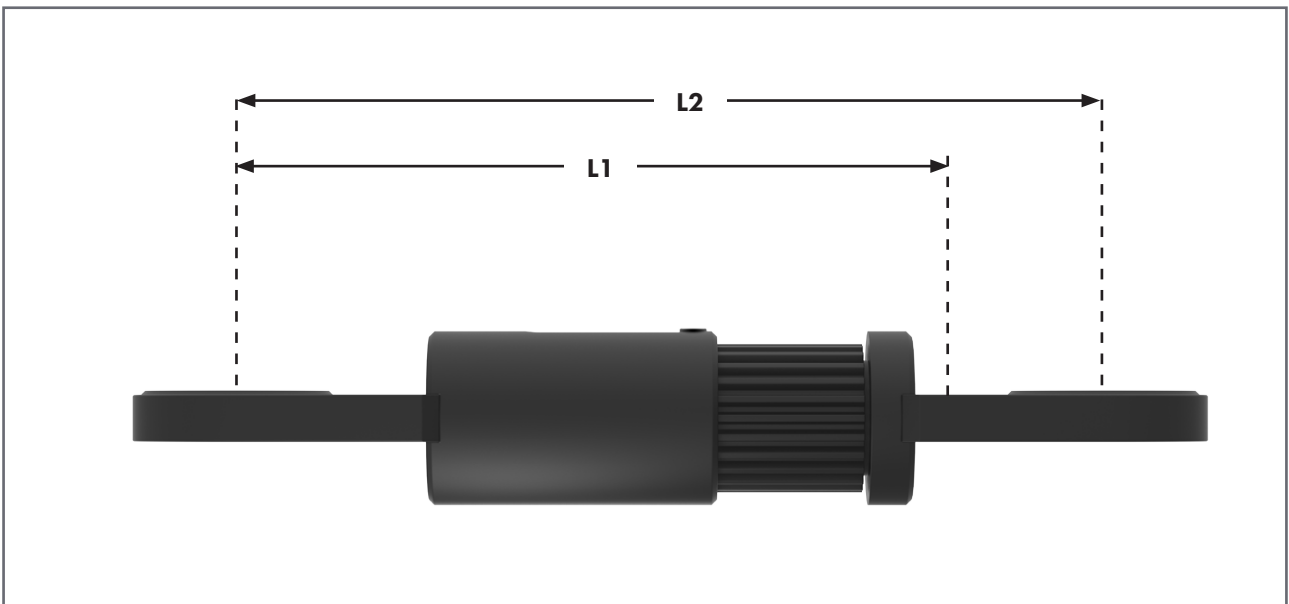
Compatible with both hydraulic, pneumatic and electric torque wrenches.

Model	Min. L1	Max. L2
Type .7	150 mm	200 mm
Type 01	115 mm	130 mm
Type 01	140 mm	160 mm
Type 01	180 mm	210 mm
Type 01	200 mm	250 mm
Type 01	250 mm	270 mm
Type 03	300 mm	400 mm
Type 05	188 mm	212 mm

Model	Min. L1	Max. L2
Type 08	185 mm	265 mm
Type 08	260 mm	340 mm
Type 08	360 mm	440 mm
Type 10	185 mm	265 mm
Type 10	360 mm	440 mm
Type 10	750 mm	780 mm
Type 20	400 mm	490 mm



These types are available from stock. Custom sizes can be produced on demand.



To the values given no rights can be derived. CAD models are available through our engineering department.

**HYTORC**<sup>®</sup>

HYTORC Nederland BV    HYTORC Benelux BVBA  
 Tel. +31 24 3660 660    Tel. +32 38 705 220  
 www.hytorc.nl    www.hytorc.be