

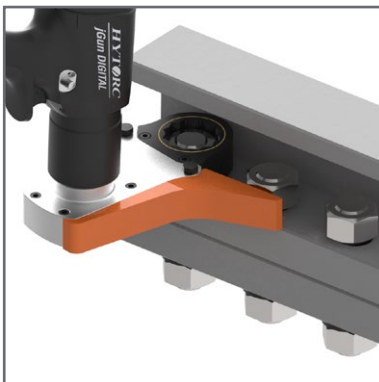
# Offset Link

The perfect solution for limited clearance



This torque tool is compatible with the award winning HYTORC Washer System™. This smart innovation improves safety, accuracy and speed.

- The perfect solution for limited headroom or extra long bolts.
- Interchangeable cartridges for every key width.
- Compatible with hydraulic, electric and pneumatic tools.



Limited clearance: Digital iGun with Offset Link and reaction arm.



For a different key width simply replace the cartridge.



When using the HYTORC Washer, the orange reaction arm is no longer needed and can be removed.

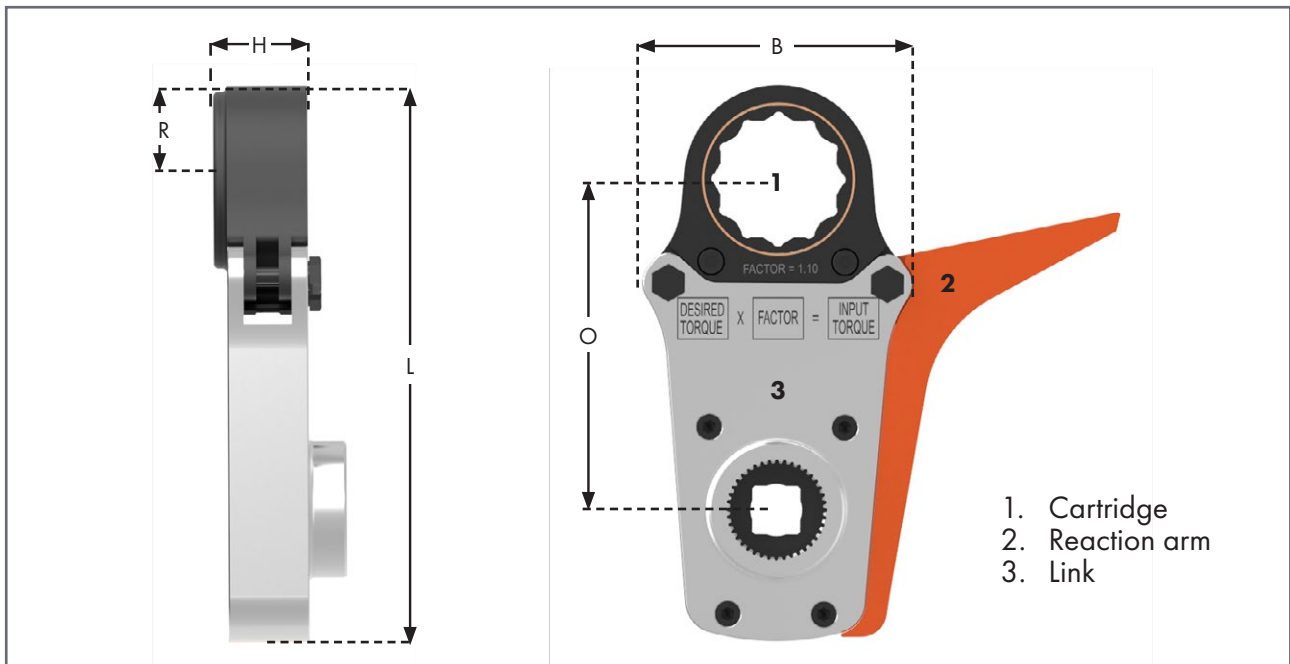
**HYTORC**®  
INDUSTRIAL TORQUE & TENSIONING SYSTEMS

**Learn more?**

Call +31 (0)24-3660 660 or visit [hytorc.nl](http://hytorc.nl)

| SQ     | Bolt size |         | Key width |                  | Art. nr.<br>HYTORC Washer | (H)<br>height | (L)<br>length | (O)<br>offset | (R)<br>radius | (B)<br>width | fact. |
|--------|-----------|---------|-----------|------------------|---------------------------|---------------|---------------|---------------|---------------|--------------|-------|
| 1/2"   | -         | M16     | -         | 24 mm            | ZRW-M16                   | 37 mm         | 205 mm        | 124 mm        | 30 mm         | 112 mm       | 1.43  |
|        | -         | M18     | -         | 27 mm            | ZRW-M18                   |               |               |               |               |              |       |
|        | -         | M20     | -         | 30 mm            | ZRW-M20                   |               |               |               |               |              |       |
|        | 3/4"      | M22     | 1-1/4"    | 32 mm            | ZRW012 & ZRW-M22          |               |               |               |               |              |       |
| 3/4"   | -         | M18     | -         | 27 mm            | ZRW-M18                   | 37 mm         | 211 mm        | 127 mm        | 33 mm         | 112 mm       | 1.15  |
|        | -         | M20     | -         | 30 mm            | ZRW-M20                   |               |               |               |               |              |       |
|        | 3/4"      | M22     | 1-1/4"    | 32 mm            | ZRW012 & ZRW-M22          |               |               |               |               |              |       |
|        | 7/8"      | M24     | 1-7/16"   | 36 mm            | ZRW014 & ZRW-M24          |               |               |               |               |              |       |
|        | 1"        | M27     | 1-5/8"    | 41 mm            | ZRW100 & ZRW-M27          |               |               |               |               |              |       |
|        | 1-1/8"    | M30     | 1-13/16"  | 46 mm            | ZRW102 & ZRW-M30          |               |               |               |               |              |       |
|        | 1-1/4"    | M33     | 2"        | 50 mm            | ZRW104 & ZRW-M33          |               |               |               |               |              |       |
|        | 1-3/8"    | M36     | 2-3/16"   | 55 mm            | ZRW106 & ZRW-M36          |               |               |               |               |              |       |
|        | 1-1/2"    | M39     | 2-3/8"    | 60 mm            | ZRW108 & ZRW-M39          |               |               |               |               |              |       |
| 1-5/8" | M42       | 2-9/16" | 65 mm     | ZRW110 & ZRW-M42 | 48 mm                     | 241 mm        | 145 mm        | 45 mm         | 112 mm        | -            |       |
| 1"     | 1-1/8"    | M30     | 1-13/16"  | 46 mm            | ZRW102 & ZRW-M30          | 48 mm         | 301 mm        | 187 mm        | 45 mm         | 166 mm       | 1.59  |
|        | 1-1/4"    | M33     | 2"        | 50 mm            | ZRW104 & ZRW-M33          |               |               |               |               |              |       |
|        | 1-3/8"    | M36     | 2-3/16"   | 55 mm            | ZRW106 & ZRW-M36          |               |               |               |               |              |       |
|        | 1-1/2"    | M39     | 2-3/8"    | 60 mm            | ZRW108 & ZRW-M39          |               |               |               |               |              |       |
|        | 1-5/8"    | M42     | 2-9/16"   | 65 mm            | ZRW110 & ZRW-M42          |               |               |               |               |              |       |
|        | 1-3/4"    | M45     | 2-3/4"    | 70 mm            | ZRW112 & ZRW-M45          |               |               |               |               |              |       |
|        | 1-7/8"    | M48     | 2-15/16"  | 75 mm            | ZRW114 & ZRW-M48          |               |               |               |               |              |       |
|        | 2"        | M52     | 3-1/8"    | 80 mm            | ZRW200 & ZRW-M52          |               |               |               |               |              |       |

The HYTORC Offset Link is compatible with the HYTORC ICE, Avanti, iGun Single Speed, iGun Dual Speed, iGun Digital, Flash Gun, Lithium Gun and the HYTORC Washer.



To the values given no rights can be derived.  
All tools are supplied with a calibration report and a durable case.

**HYTORC®**

**HYTORC Nederland BV**  
Tel. +31 24 3660 660  
www.hytorc.nl

**HYTORC Benelux BV**  
Tel. +32 03 870 52 20  
www.hytorc.be