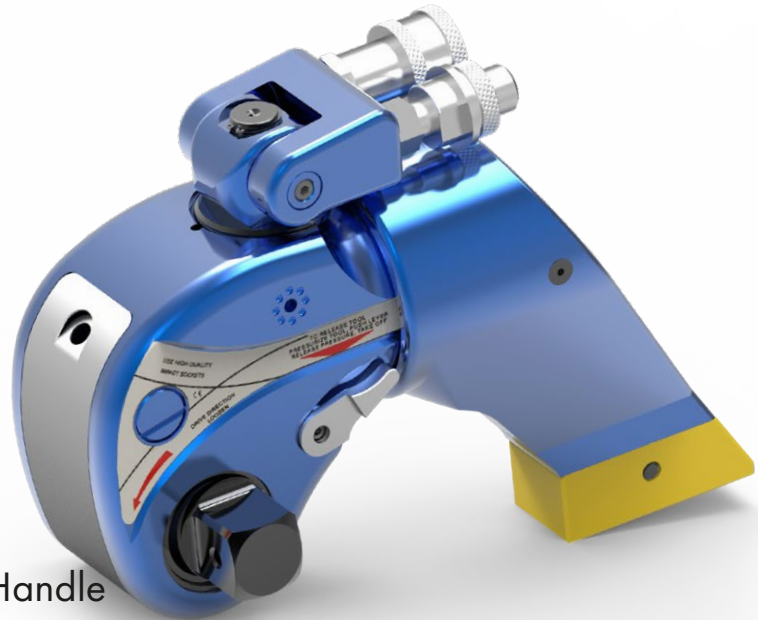


# MXT

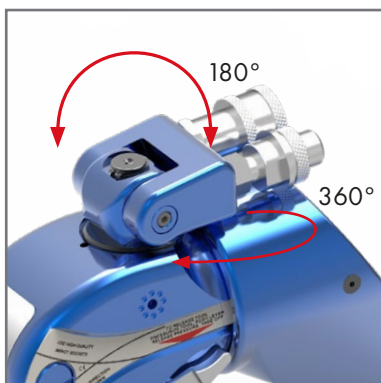
## The basic torque wrench with no-slip ratchet



- Lock-up release
- Compact design
- Compatible with the Safety Handle
- 360° x 180° hose connection
- No-slip ratchet for faster torquing prevents turning in opposite direction



This tool is perfect for multi-tooling purposes. By using multiple tools, flanges can be closed simultaneously, faster and more accurate.



With the uni-swivel your hoses are never in the way and always set to a safe position.



A Safety Handle provides easy grip and keeps hands away from pinch points.

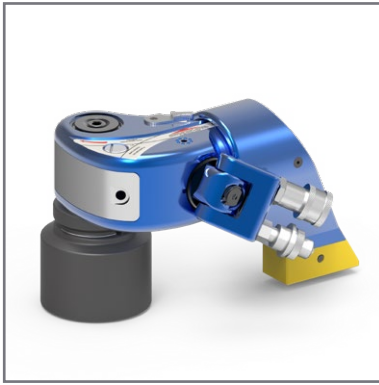


Lock-up release lever for releasing pressure after torquing for easy removal of the tool.

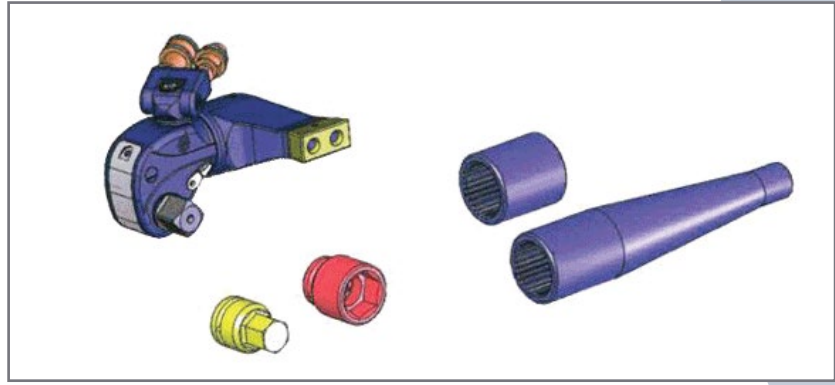
**HYTORC**<sup>®</sup>  
INDUSTRIAL TORQUE & TENSIONING SYSTEMS

**Learn more?**

Call +31 24-3660 660 or visit [hytorc.nl](http://hytorc.nl)

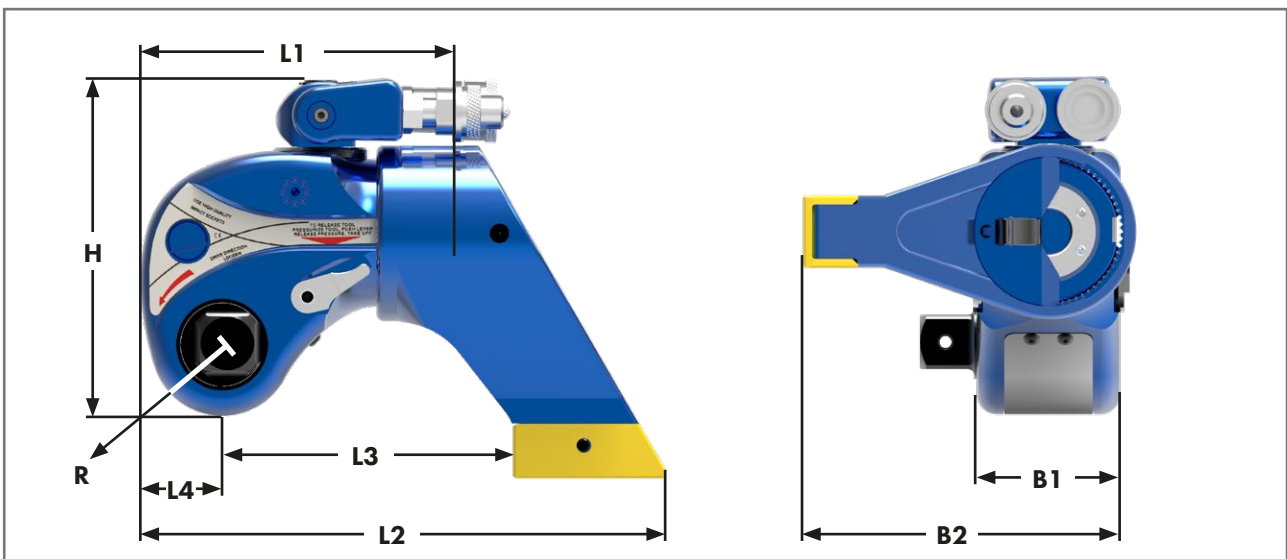


Standaard MXT with socket.



The MXT is compatible with different socket types and reaction arms.

Model	XLT-.5	MXT-.7	MXT-1	MXT-3	MXT-5	XLT-8	MXT-10	MXT-15	MXT-20	XLT-25	MXT-35	XLT-50
Min. torque Nm	75	169	271	651	1.132	1.622	2.379	3.075	4.013	5.368	7.320	10.675
Max. torque Nm	538	1.115	1.817	4.379	7.578	10.845	15.617	21.584	26.787	35.096	50.293	71.169
Square drive	½"	¾"	¾"	1"	1 ½"	1 ½"	1 ½"	2 ½"	2 ½"	2 ½"	2 ½"	2 ½"
R mm	16	21	24	32	39	44	49	56	65	66	74	76
L1 mm	77	103	123	160	191	196	240	269	286	305	354	445
L2 mm	130	153	179	244	285	320	356	389	445	465	539	527
L3 mm	67	90	98	136	157	177	196	220	261	260	323	394
L4 mm	21	19	28	37	45	46	56	64	58	65	82	81
B1 mm	33	42	51	67	77	91	101	112	121	134	148	167
B2 mm	71	101	124	161	193	203	242	268	290	304	356	359
H mm	97	107	119	154	174	213	236	246	261	290	341	325
Weight kg	1,0	1,2	1,8	3,8	6,4	9,4	11,2	16,3	19,7	31,3	35,1	62,0



Ver. 4.0-19

To the values given no rights can be derived.  
All tools are supplied with a calibration report.

**HYTORC**

HYTORC Nederland BV  
Tel. +31 24 3660 660  
www.hytorc.nl

HYTORC Benelux BVBA  
Tel. +32 38 705 220  
www.hytorc.be