

LION Gun

Power, precision, portability and safety

- Low-noise and vibration-free
- 18v battery: hours of wireless work
- Fast charger for extra fast charging
- Infinitely adjustable digitally
- Torque angle easy to program
- Data registration for analysis and reporting



This tool is compatible with the award-winning HYTORC Washer™ system. With this smart innovation you work safer, faster and more accurate.



Digital controls and display for easy and more accurate set up.



Unlike impact wrenches, the LION Gun works without impact and vibration. This prevents hearing damage and HAVS.



The LION Gun documents all relevant information, which is easy to export to Excel.

HYTORC
INDUSTRIAL TORQUE & TENSIONING SYSTEMS

Learn more?
call +31 24 3660 660 or visit hytorc.nl



LION Gun with standard 360° rotatable reaction arm and socket.



Mechanical tensioning with the HYTORC Nut: More accurate, safer and prevents galling.

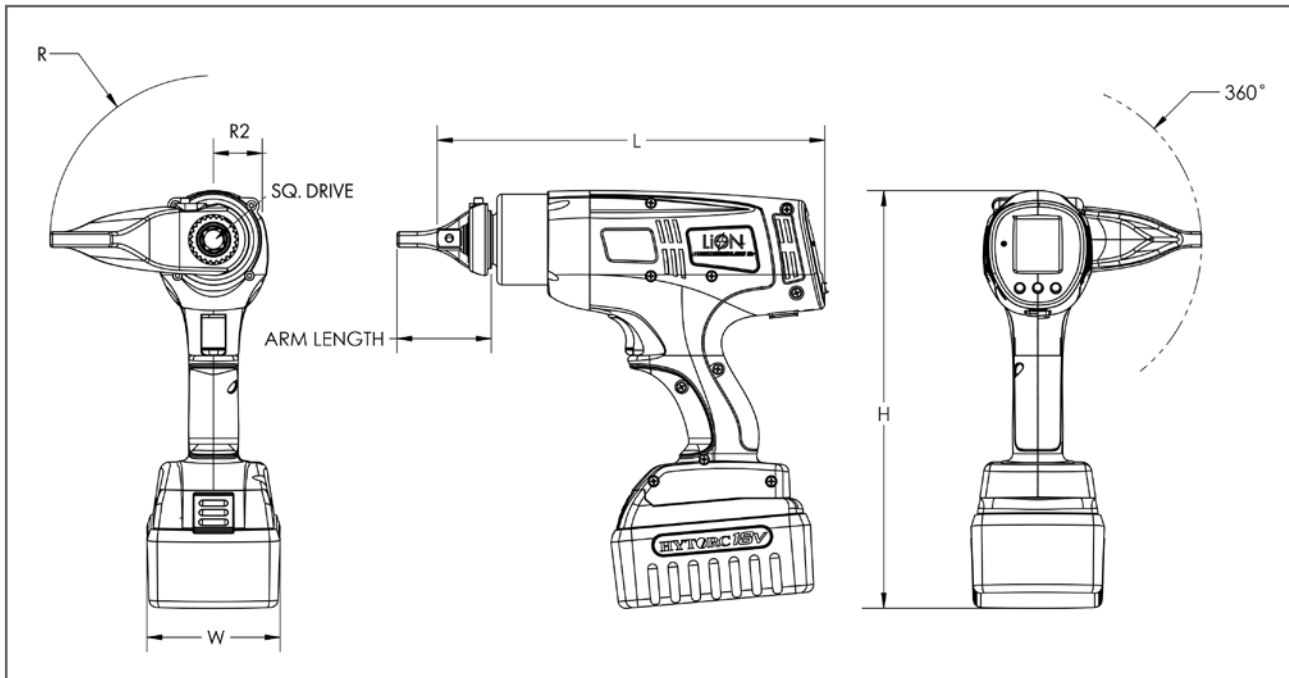


The HYTORC Washer eliminates pinch pints by making standard reaction arms obsolete.

Model	LION Gun .25	LION Gun .7
Min. torque	34 Nm	203 Nm
Max. torque	340 Nm	949 Nm
Squaredrive	1/2"	3/4"
height (H)	275 mm	275 mm
Length (L)	258 mm	274 mm
Width (W)	88 mm	88 mm
Radius reaction arm (R)	108 mm	115 mm
Radius gearbox (R2)	30 mm	30 mm
Weigth	3,31 kg	3,54 kg
Torque RPM (min.)	8,7 RPM	2,9 RPM



Ideal for securing wheel bolts. The torque angle function and data registration ensure security and reliability.



No rights can be derived from the stated values.

HYTORC

HYTORC Nederland BV
Tel. +31 24 3660 660
www.hytorc.nl

HYTORC Benelux BV
Tel. +32 38 705 220
www.hytorc.be