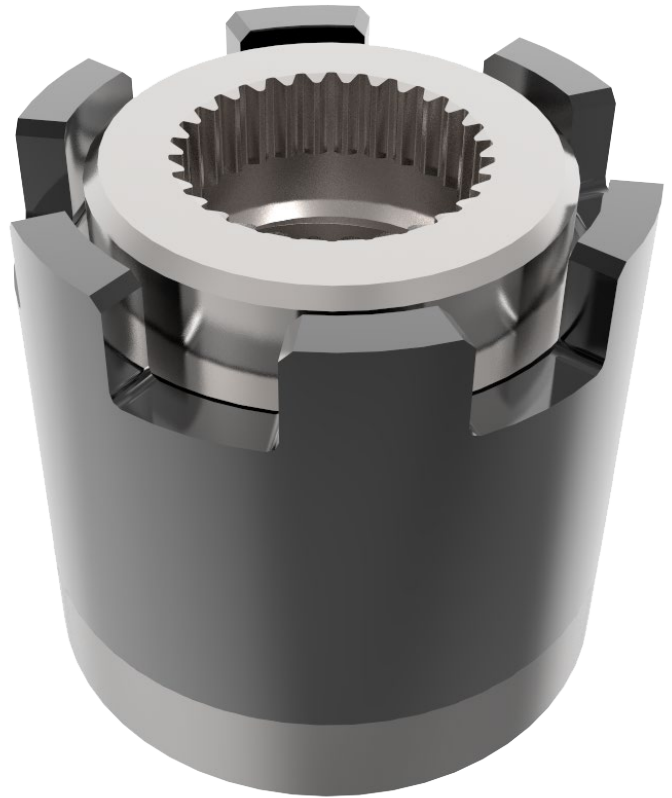


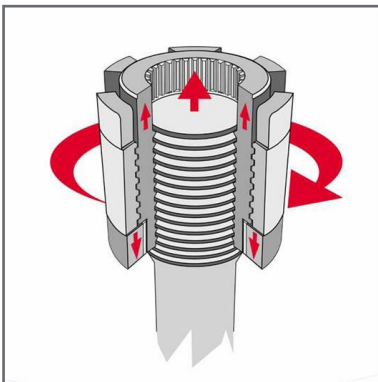
HYTORC Nut™

Mechanical tensioning: the best of both worlds

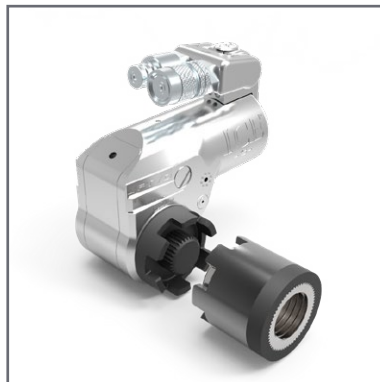
- Accurate tensioning: no side load, no torsion.
- Prevents galling, damaged studs and flange surfaces.
- Works safer: no reaction arm or backup wrench needed.
- Perfect for protruding studs, limited clearance or extremely high temperatures.



This tool is perfect for multi-tooling purposes. By using multiple tools, flanges can be closed simultaneously, faster and more accurate.



Due to the clever operation of the HYTORC NUT, turning force is converted into tensile force and the bolt is extended coaxially.



The HYTORC Nut can be used with hydraulic, electric and pneumatic torque wrenches.



Internationally tested, recognized, certified and awarded as an innovative technical solution.

HYTORC
INDUSTRIAL TORQUE & TENSIONING SYSTEMS

More information?

Call + 31 24 3660 660 or visit hytorc.nl

	HYTORC Nut	Torqueing	Hydraulic tensioning	Heating
Accuracy	✓	✗	✓	✓
Hands free operating	✓	✗	✗	✗
Safe operating	✓	✗	✗	✗
No backup wrench	✓	✗	✓	✗
No galling	✓	✗	✗	✗
Measurement free	✓	✓	✗	✗
No heating	✓	✓	✓	✗

The HYTORC Nut replaces the standard nut and can be reused endlessly. Specific variants have been developed for specific situations, so the HYTORC Nut always fits any application.



TN Series

Turbines, high pressure flanges.
 Outside diameter: 1,6 x bolt Ø
 Height: 1,5 x bolt Ø



CN Series

For classic tensioning, to work with flanges and protruding studs.
 Outside diameter: 1,9 x bolt Ø
 Height: 1,7 x bolt Ø



HYTORC Nut Conisch

The conical bottom of this NUT makes it a wonderful solution for bolts which are not perpendicular to the flange.



SN Series

For limited clearance and protruding studs.
 Outside diameter: 1,9 x bolt Ø
 Height: 1,2 x bolt Ø



SmartSTUD

Stud and HYTORC Nut in one. The perfect solution for extreme temperatures and problems with creep.
 Outside diameter: 1,5 x bolt Ø



SmartSTUD Inbus

The Allen bolt variant solves problems with limited clearance and workspace.
 Outside diameter: 1,5x bolt Ø

To the values given no rights can be derived.

HYTORC

HYTORC Nederland BV HYTORC Benelux BVBA
 Tel. +31 24 3660 660 Tel. +32 38 705 220
 www.hytorc.nl www.hytorc.be