

Avanti

Fast. Accurate. Flexible.

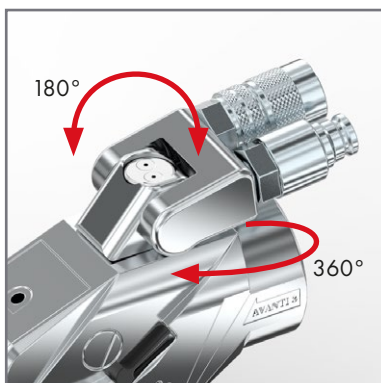
- Compatible with any HYTORC reaction arm.
- 11 models, up to almost 188.000 Nm.
- Combined with a HYTORC Nut the Avanti works as a mechanical tensioner.
- Fail-proof valve system for dependable and repeatable performance.



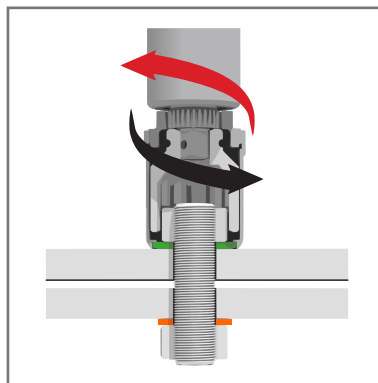
This torque tool is compatible with the award winning HYTORC Washer System™. This smart innovation improves safety, accuracy and speed.



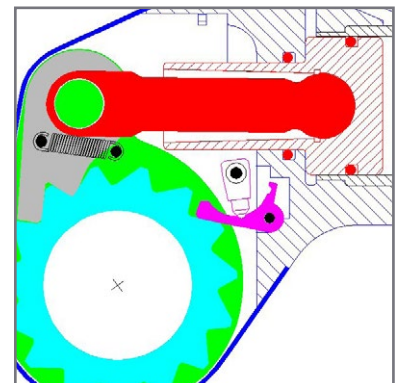
This tool is perfect for multi-tooling purposes. By using multiple tools, flanges can be closed simultaneously, faster and more accurate.



With the uni-swivel your hoses are never in the way and always set to a safe position.



Safer and more accurate torquing with the HYTORC Washer system.



Work faster with long studs: The reaction pawl makes every stroke effective by eliminating torsion.

HYTORC®
INDUSTRIAL TORQUE & TENSIONING SYSTEMS

Learn more?

Call +31 (0)24-3660 660 or visit hytorc.nl

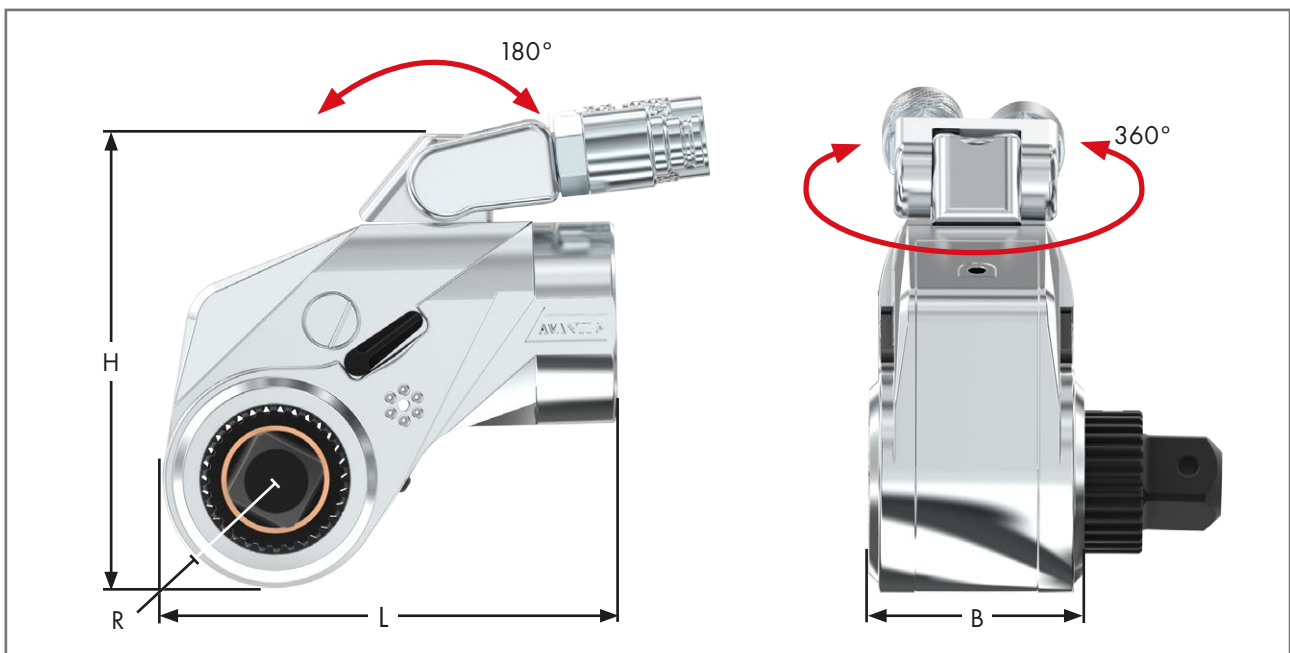


Torque and Angle made simple with a clear angle reading.



The Avanti is compatible with a wide range of standard and custom reaction arms and accessories, including the revolutionary HYTORC washer driver.

Model	Drive inch	Min. torque Nm	Max. torque Nm	R mm	L mm	H mm	B mm	Weight kg
Avanti .7	3/4"	153	1.040	25	105	107	45	1,4
Avanti 1	3/4"	266	1.741	29	128	125	55	2,0
Avanti 3	1"	623	4.181	38	166	160	74	4,3
Avanti 5	1 1/2"	1.090	7.266	47	200	188	86	7,1
Avanti 8	1 1/2"	1.559	10.519	53	224	213	98	9,4
Avanti 10	1 1/2"	2.440	15.919	60	252	236	110	13,2
Avanti 20	2 1/2"	3.741	24.252	66	296	261	129	21,6
Avanti 35	2 1/2"	6.649	43.149	81	363	313	165	37,5
Avanti 50	2 1/2"	9.763	62.528	100	414	356	179	57,0
Avanti 80	3 1/2"	16.220	116.168	119	496	428	190	127,2
Avanti 130	3 1/2"	26.292	187.764	135	577	512	216	265,4



20/01/17 • 16054

To the values given no rights can be derived.
All tools are supplied with a calibration report.

HYTORC®

HYTORC Nederland BV
Tel. +31 24 3660 660
www.hytorc.nl

HYTORC Benelux BVBA
Tel. +32 38 705 220
www.hytorc.be